


- NOTE(S):
 1. APPLY NSF COMPLIANT GREASE TO ANY O-RING, SEALING JOINTS, AND/OR PIVOTAL POINTS.
 2. APPLY NSF COMPLIANT LOCTITE TO THREADED AREA. 

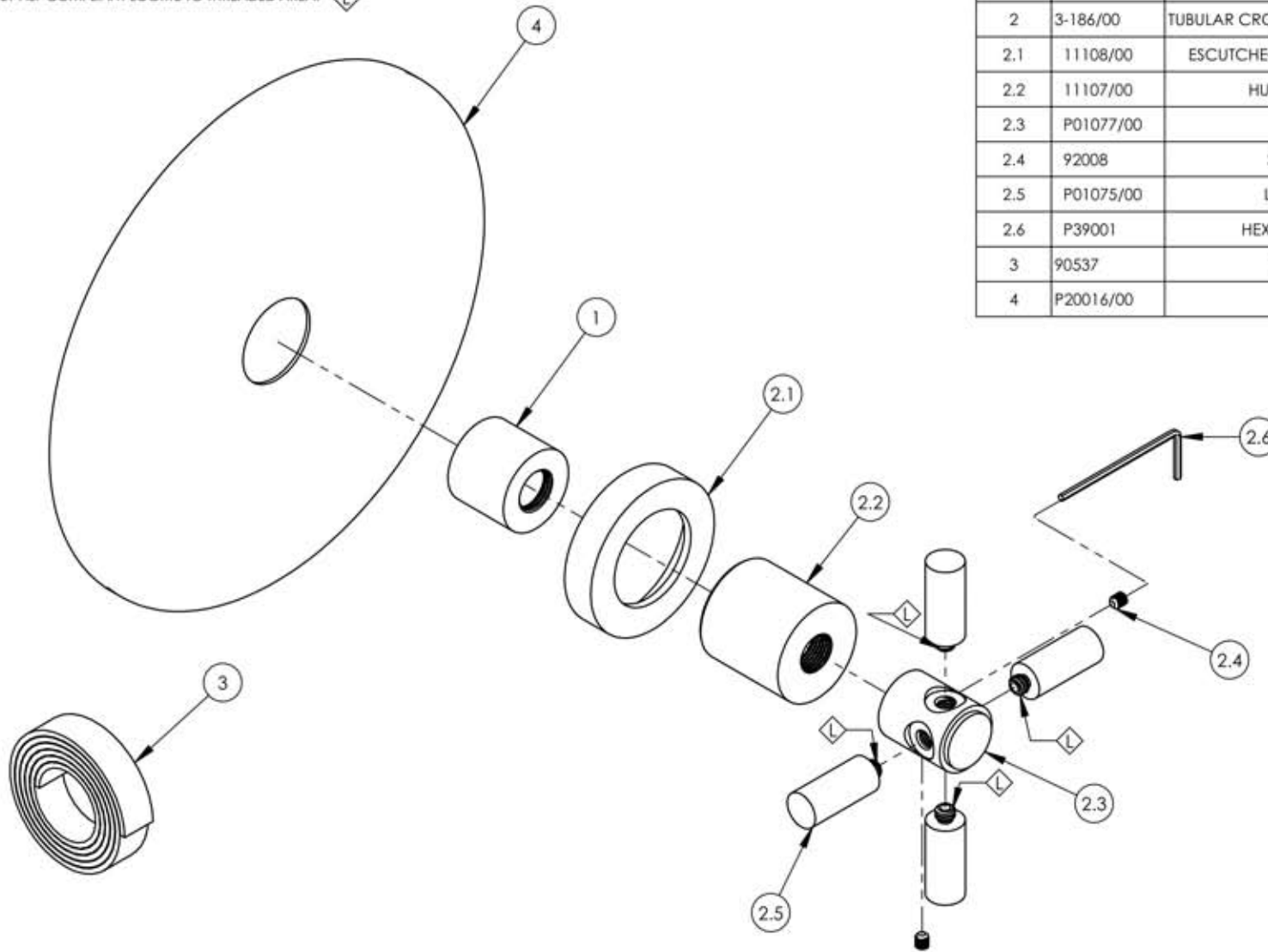
ITEM NO.	PART NUMBER	DESCRIPTION	QTY.
1	10986	CENTERING PLATE SLEEVE	1
2	3-186/00	TUBULAR CROSS HANDLE FOR DECK TUB, BASIC SERIES	1
2.1	11108/00	ESCUTCHEON LARGE ID FOR RT/PB, BASIC SERIES	1
2.2	11107/00	HUB LARGE FOR RT, BASIC SERIES	1
2.3	P01077/00	STEM, CROSS HANDLE	1
2.4	92008	SET SCREW, CUP POINT 8-32	2
2.5	P01075/00	LOBE, HANDLE CROSS BASIC	4
2.6	P39001	HEX KEY 5/64, FOR 8-32 SET SCREW	1
3	90537	1/16" TAPE FOR WALL PLATE	1
4	P20016/00	TRIM PLATE, BASIC	1

A

B

C

D



E

ZONE	REV.	DESCRIPTION	DATE	APPROVED
REVISIONS				

1261 LOGAN AVENUE
 COSTA MESA, CALIFORNIA 92626
 PHONE: 714.361.4800
 FAX: 714.617.3120

PHYLORICH®

Defining Luxury Since 1959

PROPRIETARY AND CONFIDENTIAL
 THE INFORMATION CONTAINED IN THIS DRAWING IS THE SOLE PROPERTY OF R3S MANUFACTURING. ANY REPRODUCTION IN PART OR AS A WHOLE WITHOUT THE WRITTEN PERMISSION OF R3S MANUFACTURING IS PROHIBITED.

-	-	INTERPRET GEOMETRIC DIMENSIONING & TOLERANCING IN ACCORDANCE WITH ASME Y14.5-2009 & ASME Y14.41-2003 STANDARDS, UNLESS OTHERWISE SPECIFIED. DIMENSIONS ARE IN INCHES. TOLERANCES ARE:		
NEXT ASSY	USED ON	FRACTIONS ±1/64"	DECIMALS X.X: ±.1 X.XX: ±.01 X.XXX: ±.005	ANGULAR ±.5°
APPLICATION		MATERIAL	NAME	DATE
FINISH		DRAWN	LLO	10/7/2015
DO NOT SCALE DRAWING		CHECKED	GRE	

1/2" AND 3/4" THERMOSTATIC SHOWER TRIM, TUB CROSS HDL, BASIC

SIZE	ASM/PRT NO.	REV
A	DTH134/00	-
SCALE: 1:2	WEIGHT: lbs.	SHEET 1 OF 2

5

4

3

2

1